

4

3

2

1

LTR	DESCRIPTION	POSITION	DATE
-----	-------------	----------	------

D

D

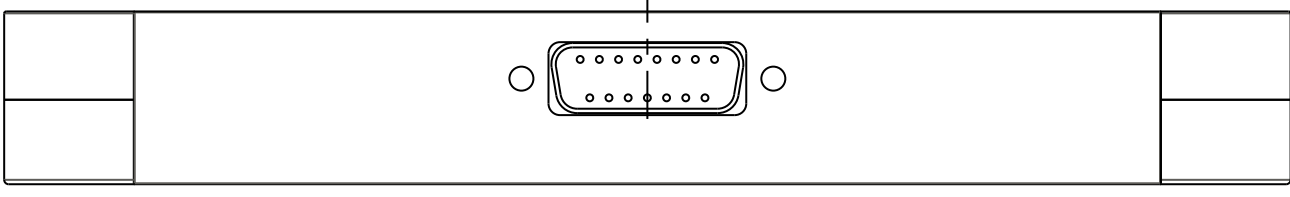
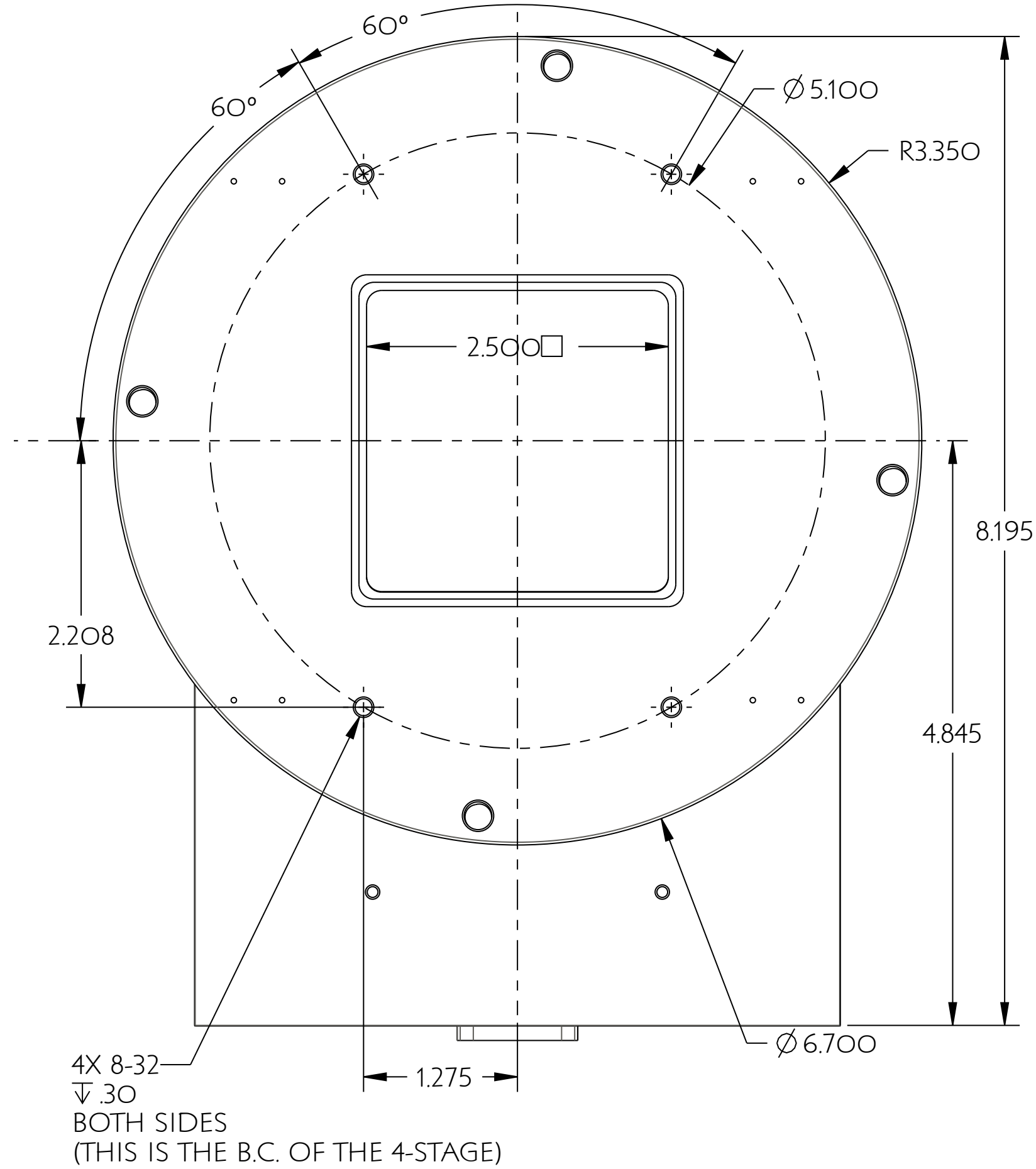
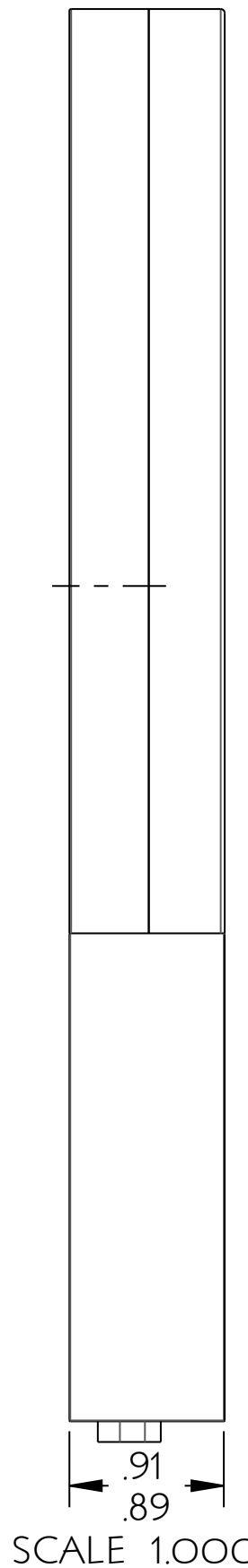
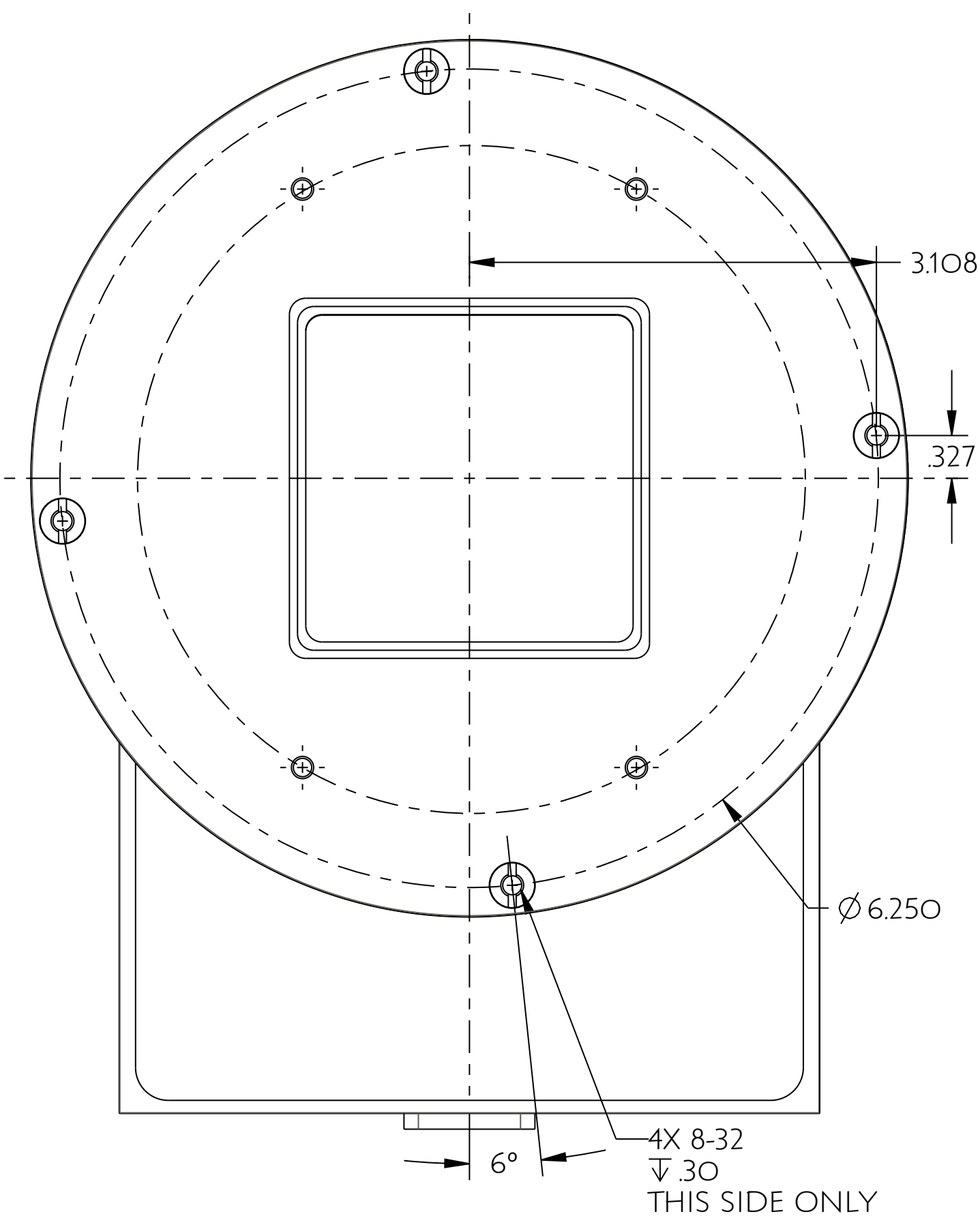
C

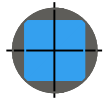
C

B

A

A



UNLESS SPECIFIED TOLERANCES ARE DEG. 1/2° .0000=±0005" .005=±0005 .00=±030" .0=±1"		 Sci-in Tech Scientific Instrumentation Technology www.sciin.com 15 LENAPE LANE SKILLMAN, N.J., 08558	REV.
DRAWN BY M. CARR	PART NO.		
DATE 5/8/2008	PART NAME PS-250 SHUTTER		

4

3

2

1