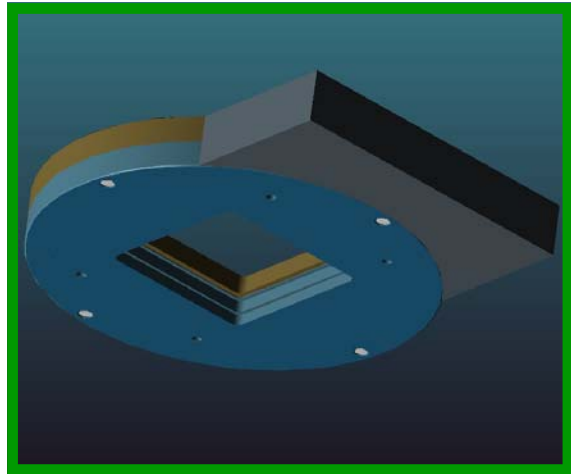
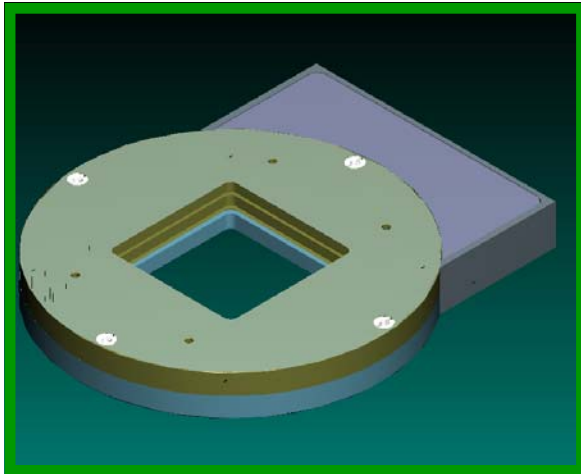
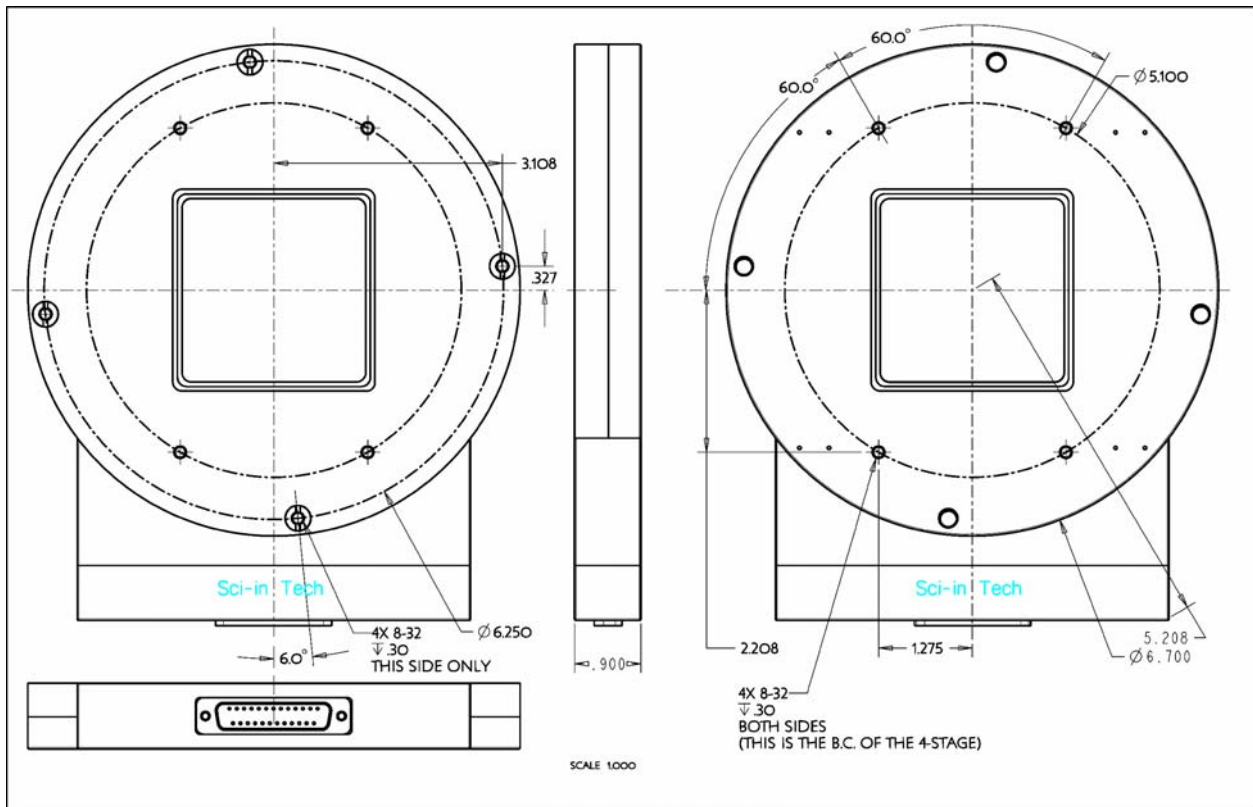


# PS-250 Data Sheet

A photometric shutter is designed to open and close at precisely the same duration over the entire aperture for a given exposure time evenly illuminating the field.



Top and bottom plates have stepped recesses in the aperture port to help eliminate glancing light rays. The recesses can also be used for inserting a mask to stop down the aperture size or create a special aperture shape.



# PS-250 Data Sheet

The Sci-in Tech PS-250 Photometric Shutter needs to mount to a flat surface. Any forces that might tweak or bend the frame are not allowed. This is a precision flat plane mechanism and mounting is an important consideration. Both top and bottom plates provide mounting holes for both the SIT-300 & SIT-400 camera mount. Four 8-32 stainless steel screw holes provide an alternate mount for other style cameras, filter mechanisms or shutters. Clamping on the perimeter of the round body is acceptable. For other mounting concerns, contact SIT.

PS-250						
Aperture	Weight	Diametrical Clearance	Electrical	Minimum Exposure	Exposure Accuracy	Blade Open/Close
2.500	1.6 Lbs	10.65"	18 VDC	25 msec	>99%	0.5 sec
<b>This shutter is a special order not normally in stock. Contact us for delivery.</b>						

Features of the PS-250 can change without notice and might differ from this description.

